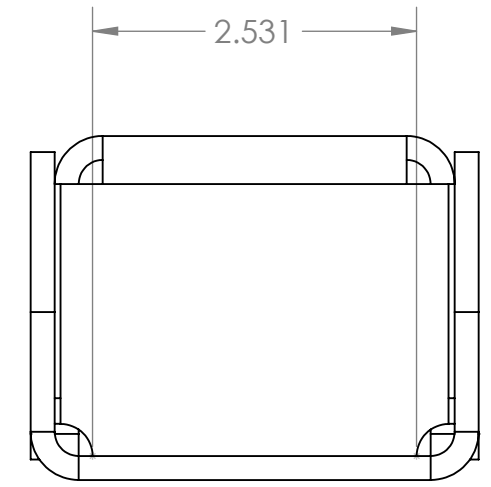
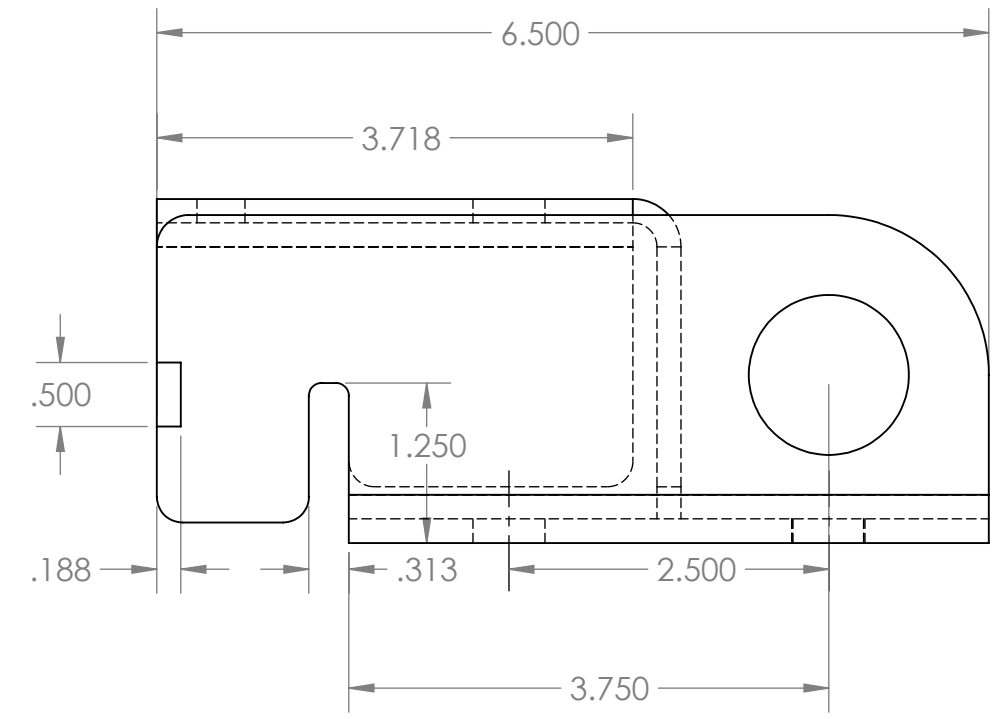
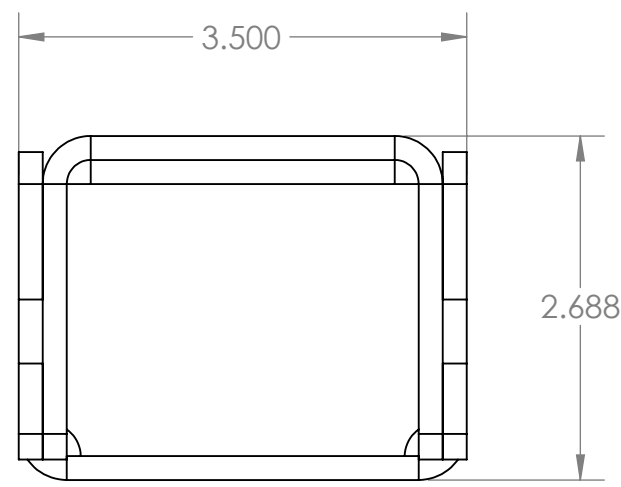
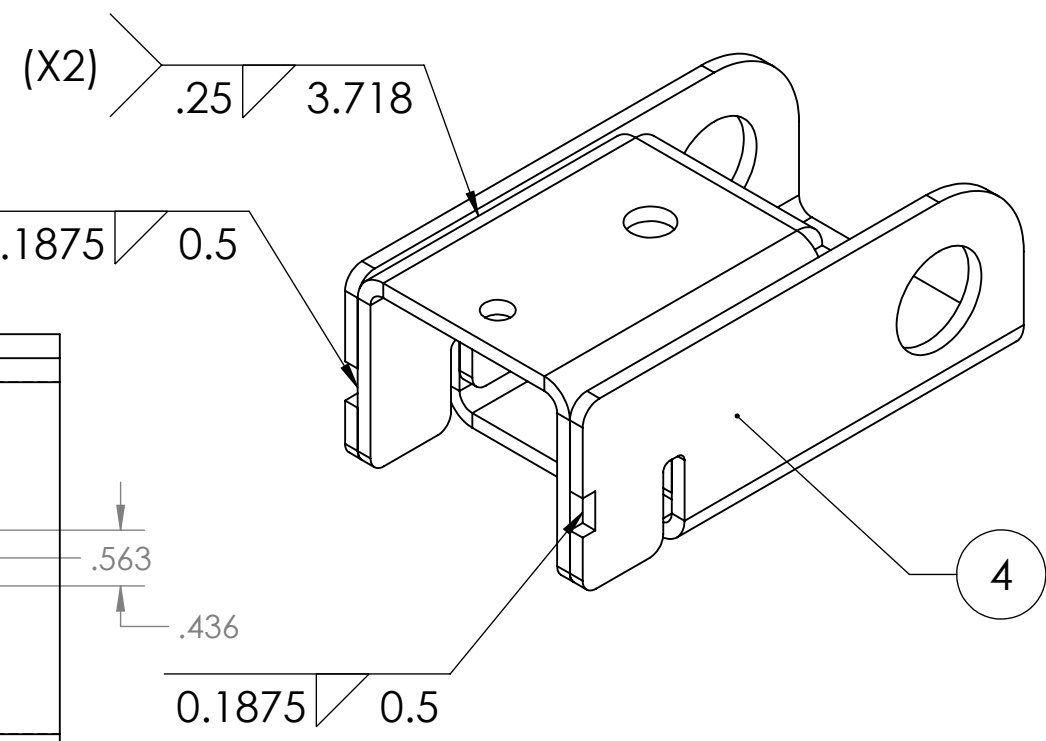
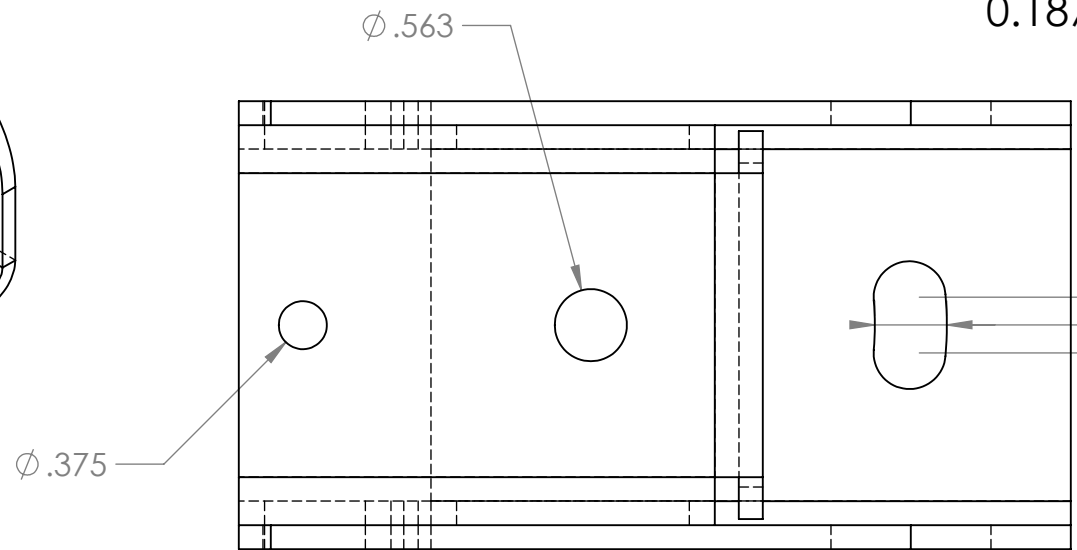
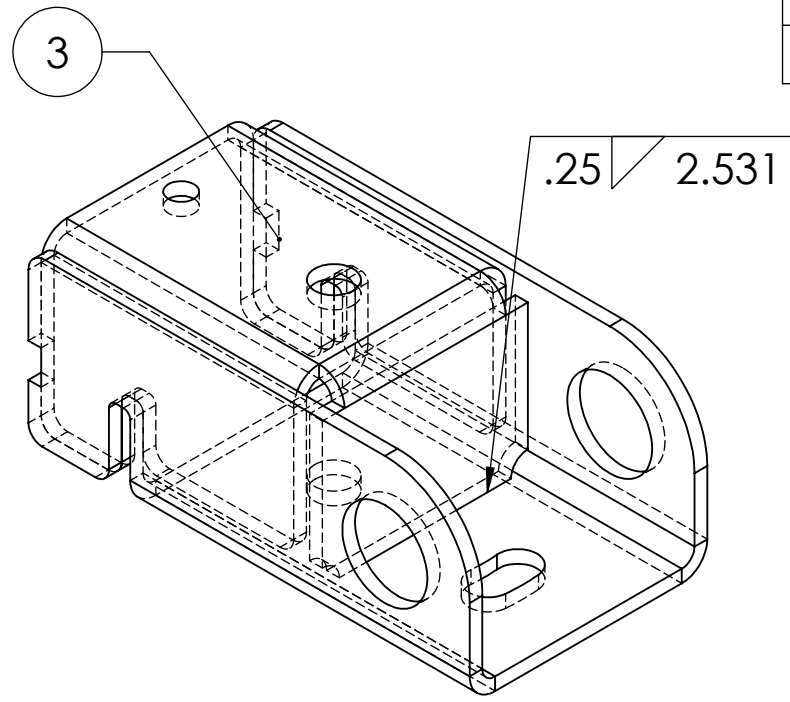



ITEM NO.	PART NUMBER	DESCRIPTION	QTY.
4	385551	BALLAST CLAW - LOWER	1
3	385552	BALLAST CLAW - UPPER	1



UNLESS OTHERWISE SPECIFIED: DIMENSIONS ARE IN INCHES TOLERANCES: .X = +/- 0.1 .XX = +/- 0.03 .XXX = +/- 0.015	DRAWN	NAME	DATE	TITLE: <b>BALLAST CLAW ASSY.</b>		
	CHECKED	VG	06/13/13			
	ENG APPR.					
MATERIAL	STEEL			SIZE	DWG. NO.	REV
FINISH	HOT DIP GALVANIZE	SOLARcraft INC. <small>12300 DAIRY ASHFORD SUGAR LAND, TEXAS 77478 877-340-1224 281-340-1224</small>		<b>B</b>	4106BC	1
DO NOT SCALE DRAWING				SCALE: 1:2	WEIGHT: 4.00	SHEET 1 OF 1

**PROPRIETARY AND CONFIDENTIAL**  
THE INFORMATION CONTAINED IN THIS DRAWING IS THE SOLE PROPERTY OF SOLARcraft INC. ANY REPRODUCTION IN PART OR AS A WHOLE WITHOUT THE WRITTEN PERMISSION OF SOLARcraft INC. IS PROHIBITED.